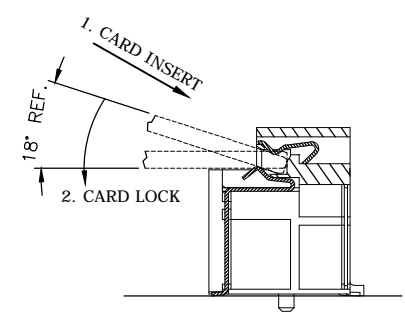
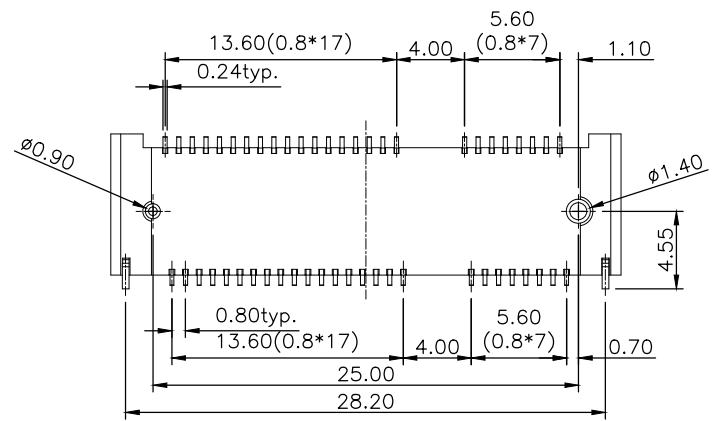
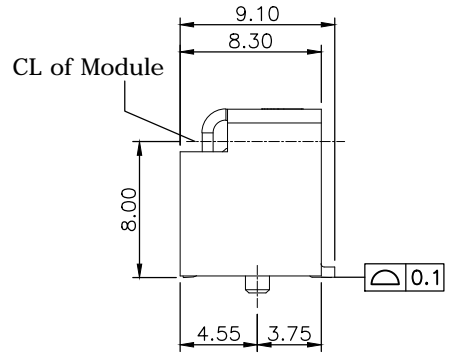
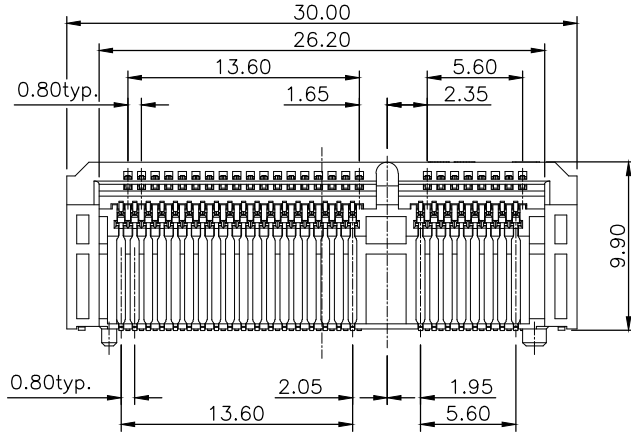
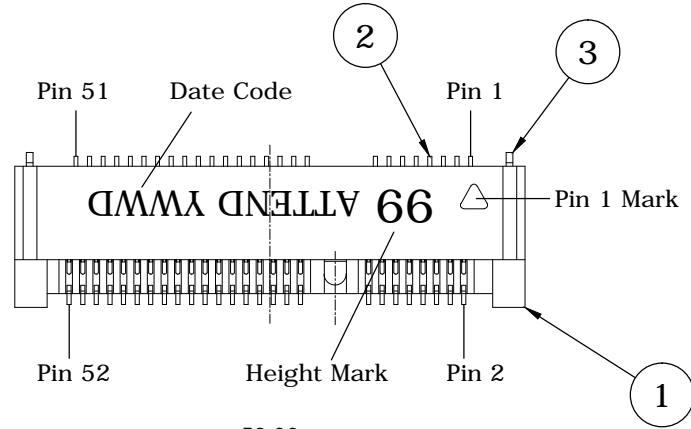


REV.	DESCRIPTION	DRAWN	DATE
1	INITIAL RELEASE	FROS	2019/08/12
2	ECR2000003	FROS	2020/04/16



SPECIFICATION:

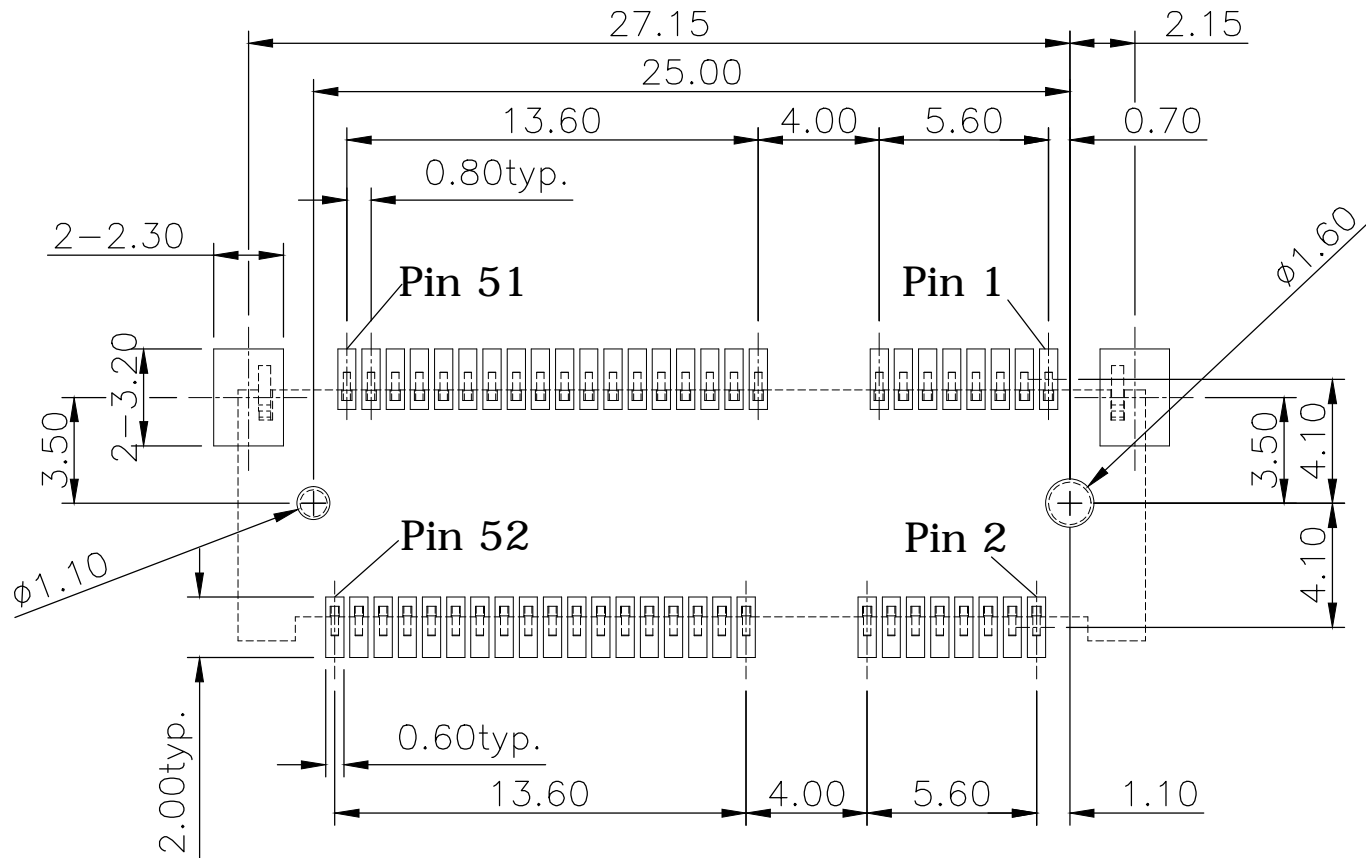
1. ELECTRICAL
 - 1.1 Current Rating: 0.5A per pin
 - 1.2 Voltage Rating: 50V AC
 - 1.3 Contact Resistance: 55mΩ Max
 - 1.4 Insulation Resistance: 500MΩ Min
 - 1.5 Dielectric Withstanding Voltage: 300VAC
2. MECHANICAL
 - 2.1 Durability: 50 Cycles
 - 2.2 Total Mating/Unmating Force: 2.3Kgf max.
3. ENVIRONMENTAL
 - 3.1 Operating temperature range: -40°C ~ +85°C
 - 3.2 Storage temperature range: -40°C ~ +85°C
4. SOLDER ABILITY
 - 4.1 Recommended IR-Reflow Temperature: 260°C 10Sec

Date Code: Y WW D
 Year | | Day(1~7)
 | | Week(1~52)


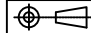
3	HOLDDOWN	Brass, Matte-Tin plated under nickel plating		
2	CONTACT	Phosphor Bronze, contact area: G/F solder area: Matte-Tin, under plating Nickel		
1	HOUSING	LCP UL94V-0, Black		
NO. PART NAME		DESCRIPTION		
UNLESS OTHERWISE SPECIFIED TOLERANCE				
UNIT:	DECIMAL	LINEAR	ANGLES	
mm	X.	±0.50	±5°	
	X.X	±0.25	±3°	
	X.XX	±0.12	±1°	
WWW.ATTEND.COM.TW				
DRAWN	Fros	2019/08/12	DRAWN NAME: Mini PCI Express Connector, H9.9mm	
CHECKED	Tim	2019/08/12		
APPROVED	Ken	2019/08/12	PRODUCT NO. 119A-99A00-R02	
⌀	SCALE	SHEET	SIZE	FILE NAME
	2.25/1	1/2	A4	



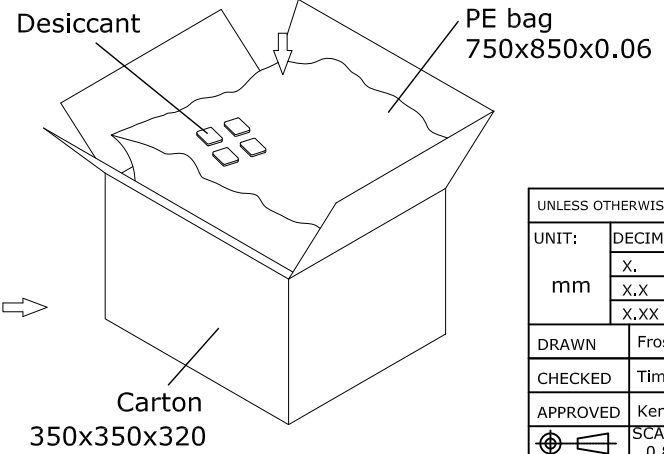
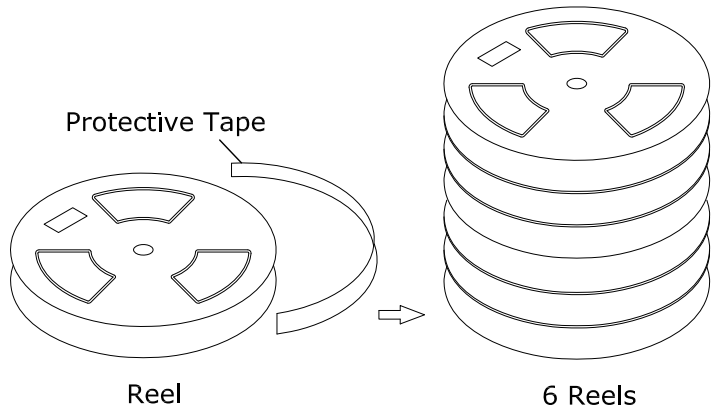
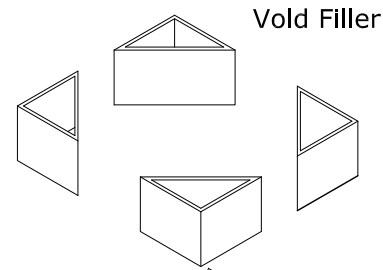
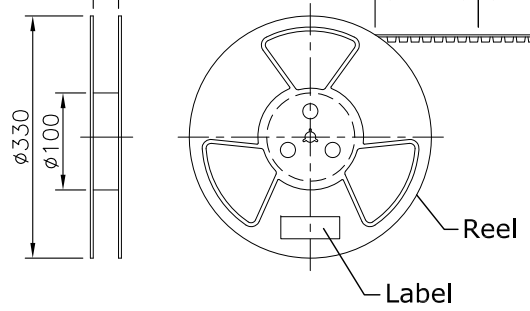
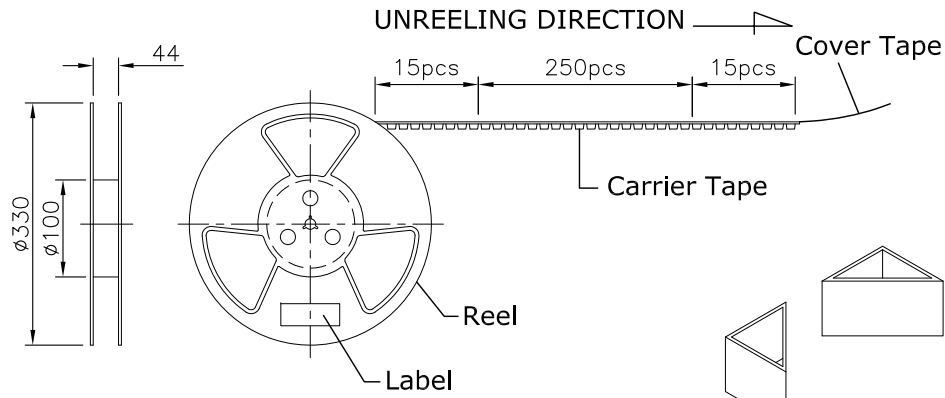
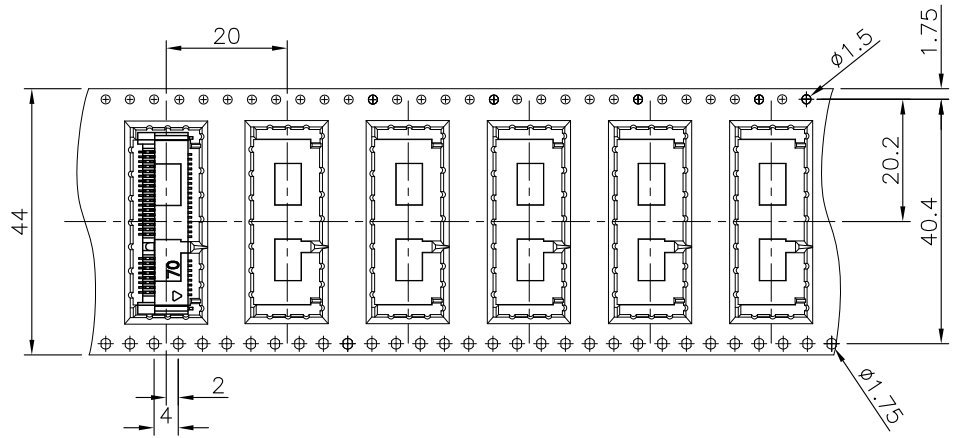
REV.	DESCRIPTION	DRAWN	DATE
	SEE SHEET ONE		



RECOMMEND LAYOUT (TOP VIEW)
GENERAL TOLERANCE: ± 0.05

UNLESS OTHERWISE SPECIFIED TOLERANCE				 WWW.ATTEND.COM.TW	
UNIT:	DECIMAL	LINEAR	ANGLES		
mm	X.	± 0.50	$\pm 5^\circ$		
	X.X	± 0.25	$\pm 3^\circ$		
	X.XX	± 0.12	$\pm 1^\circ$		
DRAWN	Fros	2019/08/12	DRAWN NAME:		
CHECKED	Tim	2019/08/12	Mini PCI Express Connector, H9.9mm		
APPROVED	Ken	2019/08/12	PRODUCT NO.	119A-99A00-R02	
	SCALE	SHEET	SIZE	FILE NAME	
	4/1	2/2	A4	119A-99A00-R02_B_2	

REV.	DESCRIPTION	DRAWN	DATE
1	INITIAL RELEASE	FROS	2019/08/12



PACKAGING SPECIFICATION:

1. MATERIAL
 - 1.1 Embossed Carrier Tape: PS Black
 - 1.2 Top Cover Tape: PET
20-80g(Peel Speed 300mm/Minute)
 - 1.3 Taping Reel: Plastic
2. PACKING
 - 2.1 Quantity:
 - 250 Piece/Reel
 - 6 Reel/ Carton
 - 1,500 Piece/ Carton

UNLESS OTHERWISE SPECIFIED TOLERANCE

UNIT:	DECIMAL	LINEAR	ANGLES
mm	X.	±0.50	±5°
	X.X	±0.25	±3°
	X.XX	±0.12	±1°



DRAWN		Fros	2019/08/12	DRAWN NAME:	
CHECKED		Tim	2019/08/12	Mini PCI Express Connector, H9.9mm	
APPROVED		Ken	2019/08/12	PRODUCT NO.	119A-99A00-R02
SCALE	SHEET	SIZE	FILE NAME		
0.8/1	1/1	A4	119A-99A00-R02_D_1		

WWW.ATTEND.COM.TW

Carton
350x350x320

Reel

6 Reels

Desiccant

PE bag
750x850x0.06

Void Filler

Carrier Tape

Cover Tape

UNREELING DIRECTION

Protective Tape

20

1.75

20.2

40.4

44

2

4

44

330

100

Reel

Label

15pcs

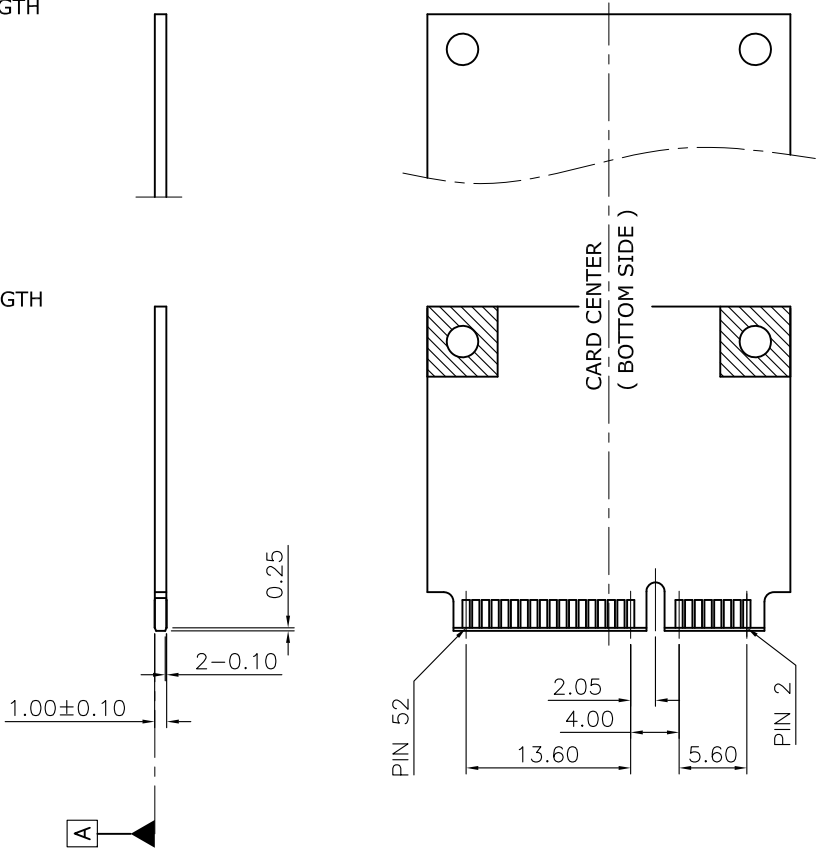
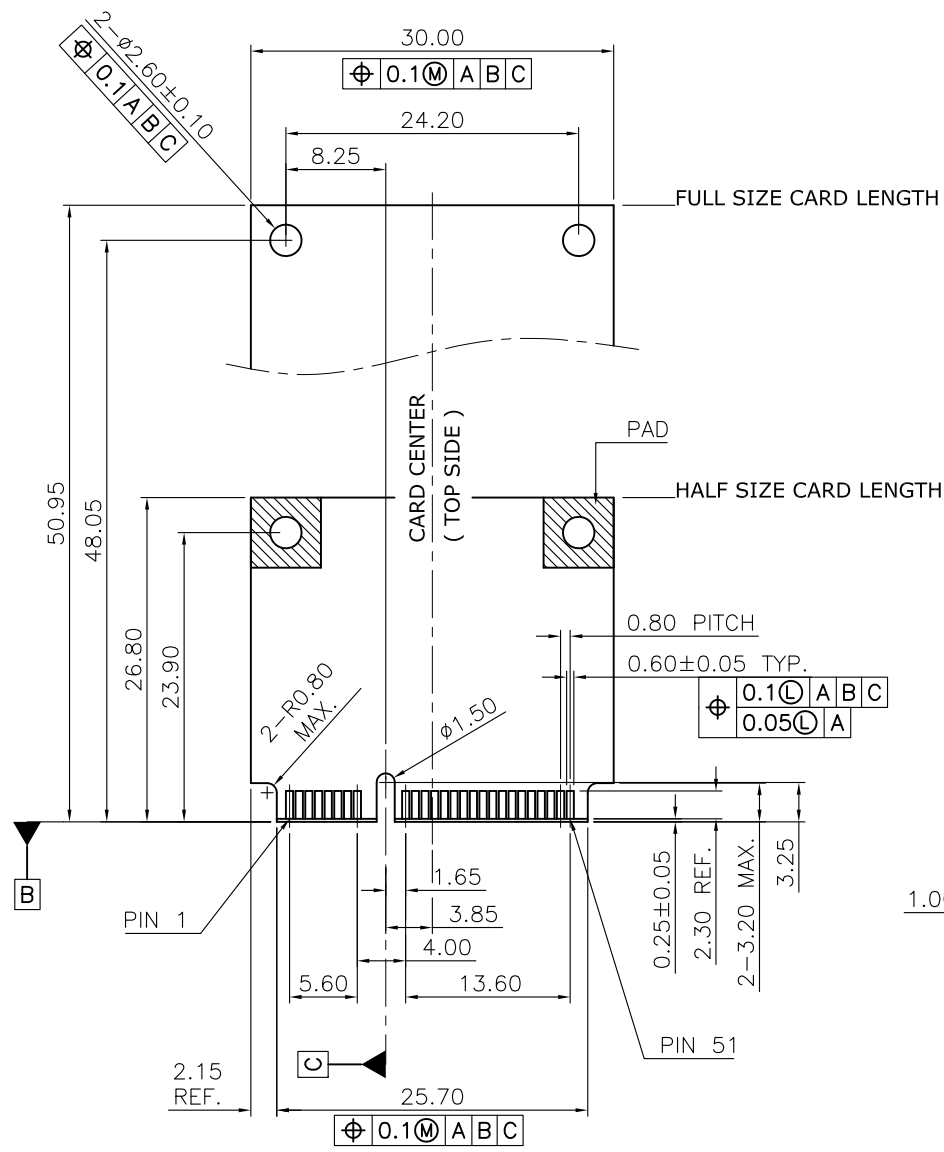
250pcs


15pcs

Carton

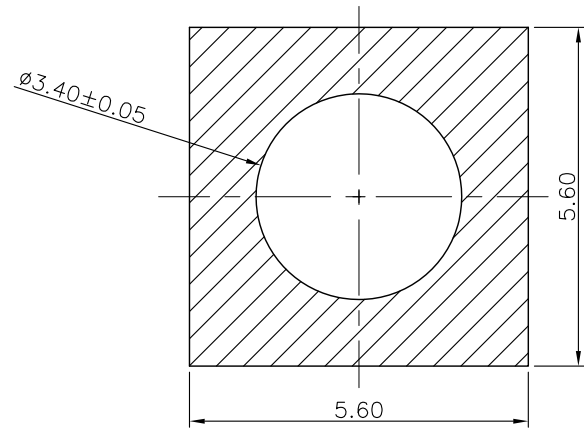
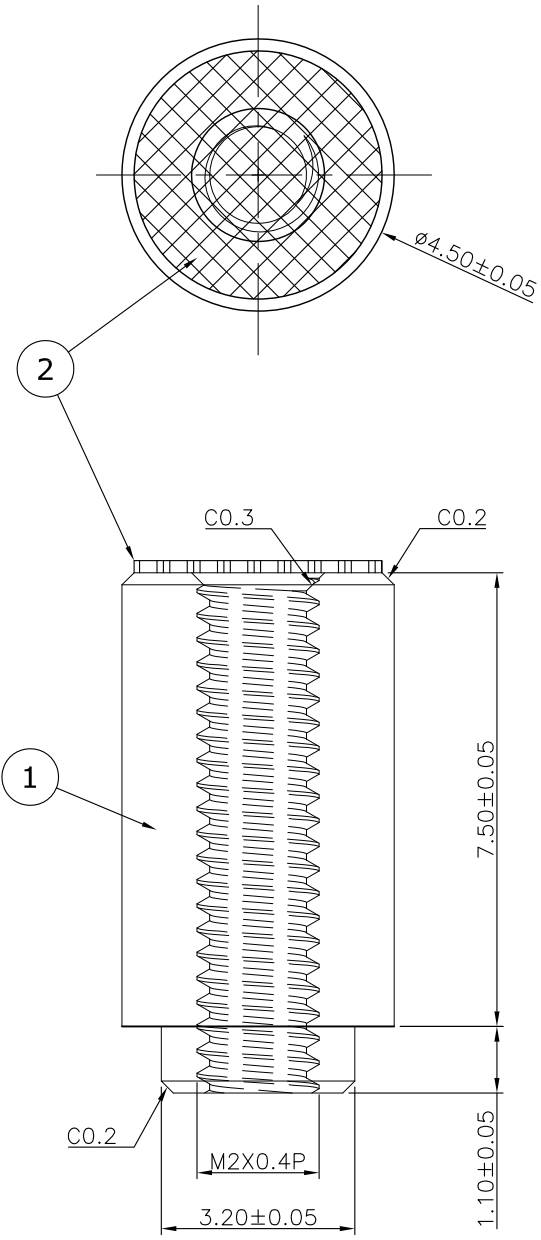
350x350x320

REV.	DESCRIPTION	DRAWN	DATE
1	Initial Release	FROS	2014/12/03



UNLESS OTHERWISE SPECIFIED TOLERANCE					
UNIT:	DECIMAL	LINEAR	ANGLES		
mm	X.	±0.50	±5°	WWW.ATTEND.COM.TW	
	X.X	±0.25	±3°		
	X.XX	±0.12	±1°		
DRAWN	Fros	2014/12/03	DRAWN NAME:		
CHECKED	Ron	2014/12/03	PHYSICAL DIMENSIONS OF		
APPROVED	Albert	2014/12/03	PCI EXPRESS MINI CARD		
SCALE	1.6/1	SHEET	1/1	SIZE	A4
PRODUCT NO.	FILE NAME				
					119A-CARD_1

REV.	DESCRIPTION	DRAWN	DATE
1	INITIAL RELEASE	FROS	2019/08/14



RECOMMENDED PCB LAYOUT

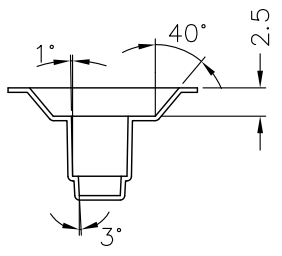
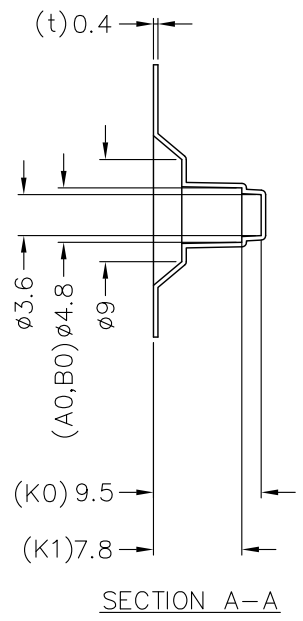
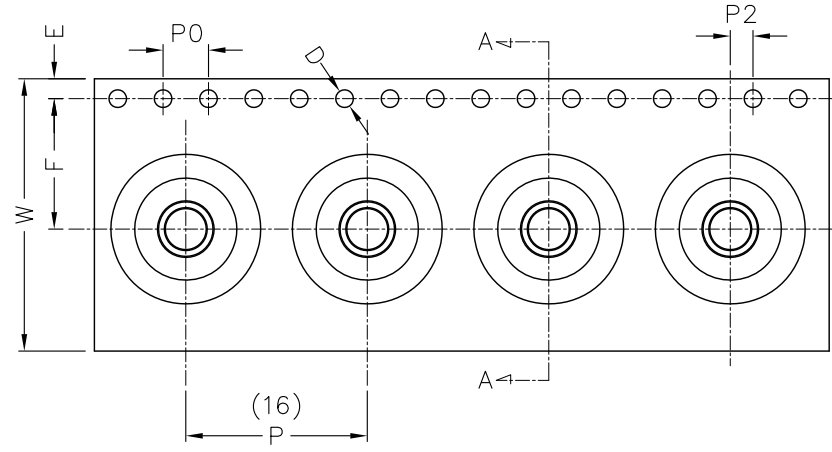
2	MYLAR		
1	NUT	Copper alloy, Tin plated	
NO.	PART NAME	DESCRIPTION	
UNLESS OTHERWISE SPECIFIED TOLERANCE			
UNIT:	DECIMAL	LINEAR	ANGLES
mm	X.	±0.50	±5°
	X,X	±0.25	±3°
	X,XX	±0.12	±1°
DRAWN: Fros			2019/08/14
CHECKED: Tim			2019/08/14
APPROVED: Ken			2019/08/14
DRAWN NAME:		Mini PCI Express Stand Off	
PRODUCT NO.		119A-NUT-99-R02	
SCALE	SHEET	SIZE	FILE NAME
8/1	1/2	A4	119A-NUT-99-R02_B_1




www.attend.com.tw

REV.	DESCRIPTION	DRAWN	DATE
1	INITIAL RELEASE	TIM	2019/09/12

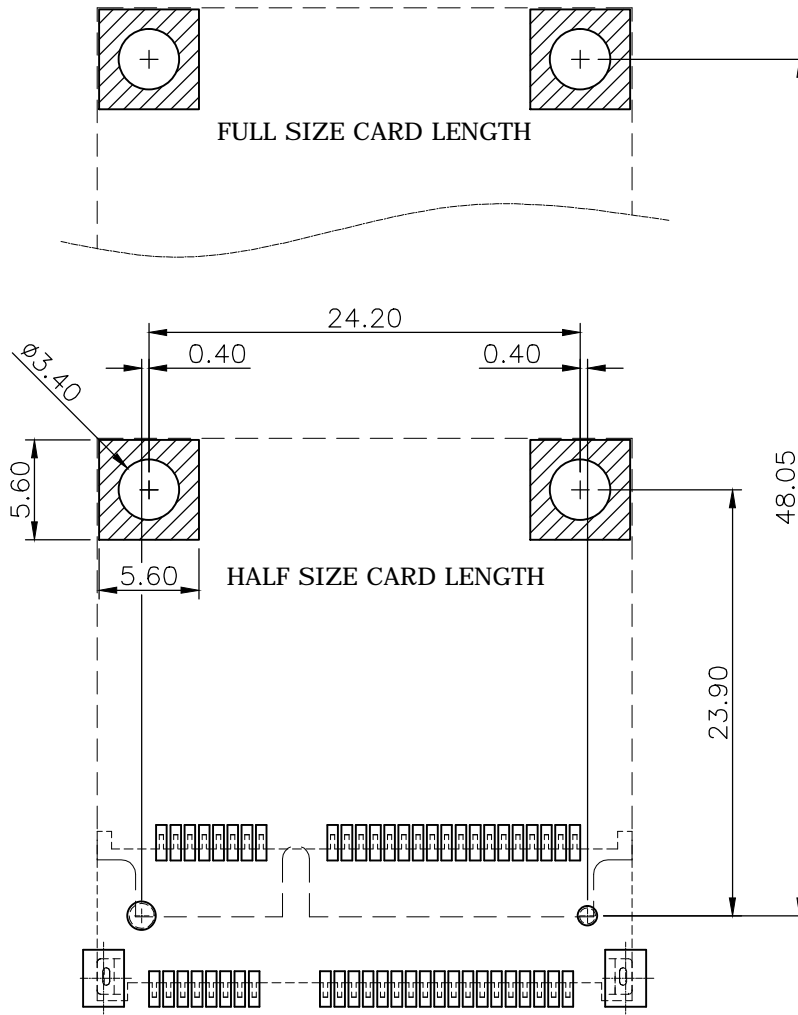
NOTE:
 1. MATERIAL: Black Anti-static Polystyrene ,T=0.4mm
 2. Reel: 300 PCS




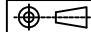
ITEM	W	A ₀	B ₀	K ₀	K ₁	P	F	E	D	D ₁	P ₀	P ₂
DIM	24.0 ^{+0.30} _{-0.30}	4.80 ^{+0.20} _{-0.10}	4.80 ^{+0.20} _{-0.10}	9.50 ^{+0.20} _{-0.10}	7.80 ^{+0.20} _{-0.10}	16.0 ^{+0.10} _{-0.10}	11.50 ^{+0.10} _{-0.10}	1.75 ^{+0.10} _{-0.10}	1.50 ^{+0.10} _{-0.00}	0.00 ^{+0.25} _{-0.00}	4.00 ^{+0.10} _{-0.10}	2.00 ^{+0.10} _{-0.10}

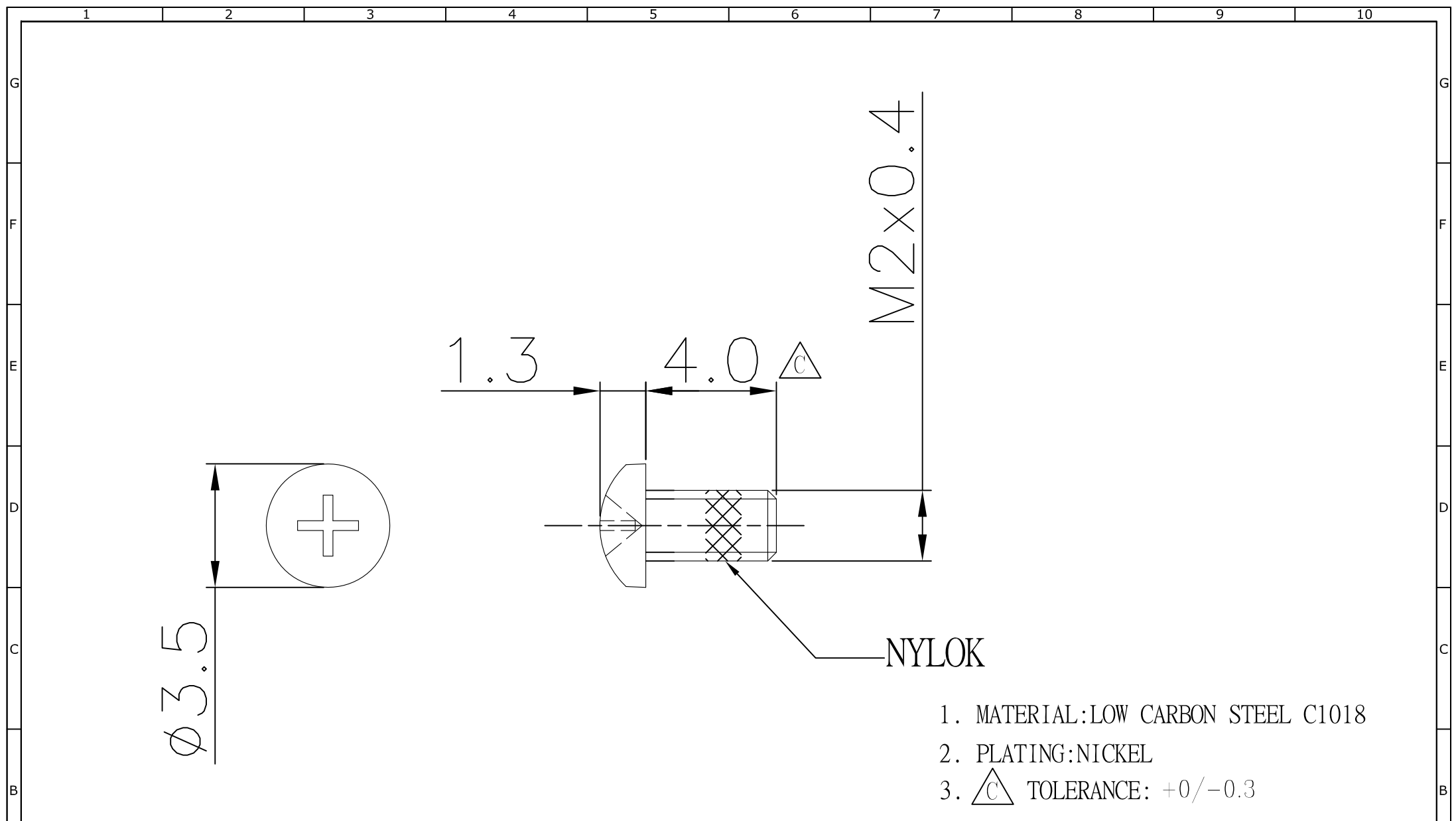
UNLESS OTHERWISE SPECIFIED TOLERANCE					
UNIT:	DECIMAL	LINEAR	ANGLES		
mm	X.	±0.50	±5°	www.attend.com.tw	
	X.X	±0.25	±3°		
	X.XX	±0.12	±1°		
DRAWN	Tim	2019/09/12	DRAWN NAME:		
CHECKED	Fros	2019/09/12	NUT M2, H=7.4mm		
APPROVED	Ken	2019/09/12	for miniPCI Express Conn H=9.9mm Packing		
SCALE		SHEET	SIZE	PRODUCT NO.	FILE NAME
1.5/1		1/1	A4	119A-NUT-99-R02	119A-NUT-99-R02_D_1

REV.	DESCRIPTION	DRAWN	DATE
1	Initial Release	FROS	2020/04/16



RECOMMEND LAYOUT (TOP VIEW)
GENERAL TOLERANCE: ±0.05

UNLESS OTHERWISE SPECIFIED TOLERANCE					
UNIT:	DECIMAL	LINEAR	ANGLES		
mm	X.	±0.50	±5°	WWW.ATTEND.COM.TW	
	X.X	±0.25	±3°		
	X.XX	±0.12	±1°		
DRAWN	Fros	2020/04/16	DRAWN NAME: Mini PCI Express Stand Off Layout		
CHECKED	Tim	2020/04/16			
APPROVED	Ken	2020/04/16	PRODUCT NO.		
	SCALE 6.25	SHEET 1/1	SIZE A4	FILE NAME	119A-NUT-XX-R02_LAYOUT



1. MATERIAL: LOW CARBON STEEL C1018
2. PLATING: NICKEL
3. $\triangle C$ TOLERANCE: +0/-0.3

REV.	DESCRIPTION	DATE	REV.	DESCRIPTION	DATE		
1			4				
2			5				
3			6				
4			7				
5			8				
6			9				
7			10				

NOTES:			UNLESS OTHERWISE SPECIFIED TOLERANCE				
ANGLES	ANG.	±5°	LINEAR	0.0	±0.25		
				0.00	±0.20		
SCALE	AS SHOWN	UNIT: mm	DRAWN	Willis	2013/01/25	DRAWN NAME: Mini PCI Express M2 Nylok Screw	
CHECKED	Angel	2013/01/25	APPROVED	Ken	2013/01/25		
PRODUCT NO. 119A-Screw-R02 FILE NAME 119A-Screw-R02_B_2							